



Model Name **W750 Digital Projector**

Unique selling point **Trade Mark**

- * Ideal for Home Entertainment
- * 3D Display
- * Easy Setup and Maintenance
- * Blu-ray Full HD 3D support
- * SmartEco



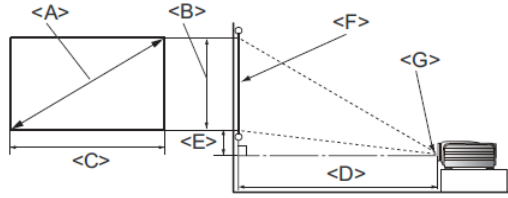
Projection System	0.62" DC3 DLP DMD	
Native Resolution	720p (1280 x 720)	
Brightness	2500AL	
Contrast Ratio	13000:1	
Display Color	1.07 Billion Colors	
Lens	F=2.54-2.73, f=18.18-21.84mm	
Aspect Ratio	Native 16:9 (5 aspect ratio selectable)	
Throw Ratio	1.31-1.57 (69"@2M)	
Image Size (Diagonal)	43"-300"	
Zoom Ratio	1.2:1	
Lamp Type	210W	
Lamp(Normal/Economic/SmartEco Mode)*	4000/5000/6500 hours	
Keystone Adjustment	1D, Vertical +/- 40 degrees	
Projection Offset	120% ±5%	
Resolution Support	Up to UXGA(1600 x 1200)	
Horizontal Frequency	15K~102KHz	
Vertical Scan Rate	23~120Hz	
Compatibility	HDTV Compatibility	480i, 480p, 576i, 567p, 720p, 1080i, 1080p
	Video Compatibility	NTSC, PAL, SECAM, SDTV
	3D Compatibility	Refer 3D Compatibility control table
Interface	Computer in (D-sub 15pin)	x 1
	HDMI (v1.4a)	x 2
	Composite Video in (RCA)	x 1
	S-Video in (Mini DIN 4pin)	x 1
	Component Video in	x 1
	Audio in (Mini Jack)	x 1
	Audio L/R in (RCA)	x 1
	Audio out (Mini Jack)	x 1
	Speaker	10W x 1
	USB (Type mini B)	x 1
	RS232 (DB-9pin)	x 1
	IR Receiver	x 2
Dimensions	Dimensions(W x H x D)	324.7 x 113.8 x 241.5 mm
	Weight	2.6 Kg (5.73 lbs)
Power	Power Supply	AC 100 to 240 V, 50/60 Hz
	Power Consumption	275W (typical), Standby< 0.5W
Audible Noise	34/30 dBA (Normal/Economic mode)	
On-Screen Display Languages	Arabic/Bulgarian/ Croatian/ Czech/ Danish/ Dutch/ English/ Finnish/ French/ German/ Greek/ Hindi/ Hungarian/ Italian/ Indonesian/ Japanese/ Korean/ Norwegian/ Polish/ Portuguese/ Romanian/ Russian/ Simplified Chinese/Spanish/ Swedish/ Turkish/ Thai/ Traditional Chinese (28 Languages)	
Picture Modes	Dynamic/Standard/Cinema/3D/User 1/User 2/User 3	
Accessories	Standard	Optional
	Remote Control w/ Battery	Carry Bag P/N: 5JJB8Y09.001
	Power Cord (by region)	Spare Lamp Kit P/N: 5JJ7K05.001
	User Manual CD (24L)	Ceiling Mount P/N: 5JJ4N10.001
	Quick Start Guide (18L)	3D Glasses P/N: 5JJ7K25.011
	Warranty Card (by region)	
	VGA (D-sub 15pin) Cable	

*Lamp life results will vary depending on environmental conditions and usage. Actual product's features and specifications are subject to change without notice.

Distance Chart

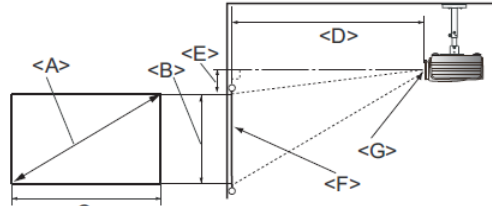
Installation for a 16:9 ratio screen

Floor Installation



<F>: Screen <G>: Center of lens

Ceiling Installation

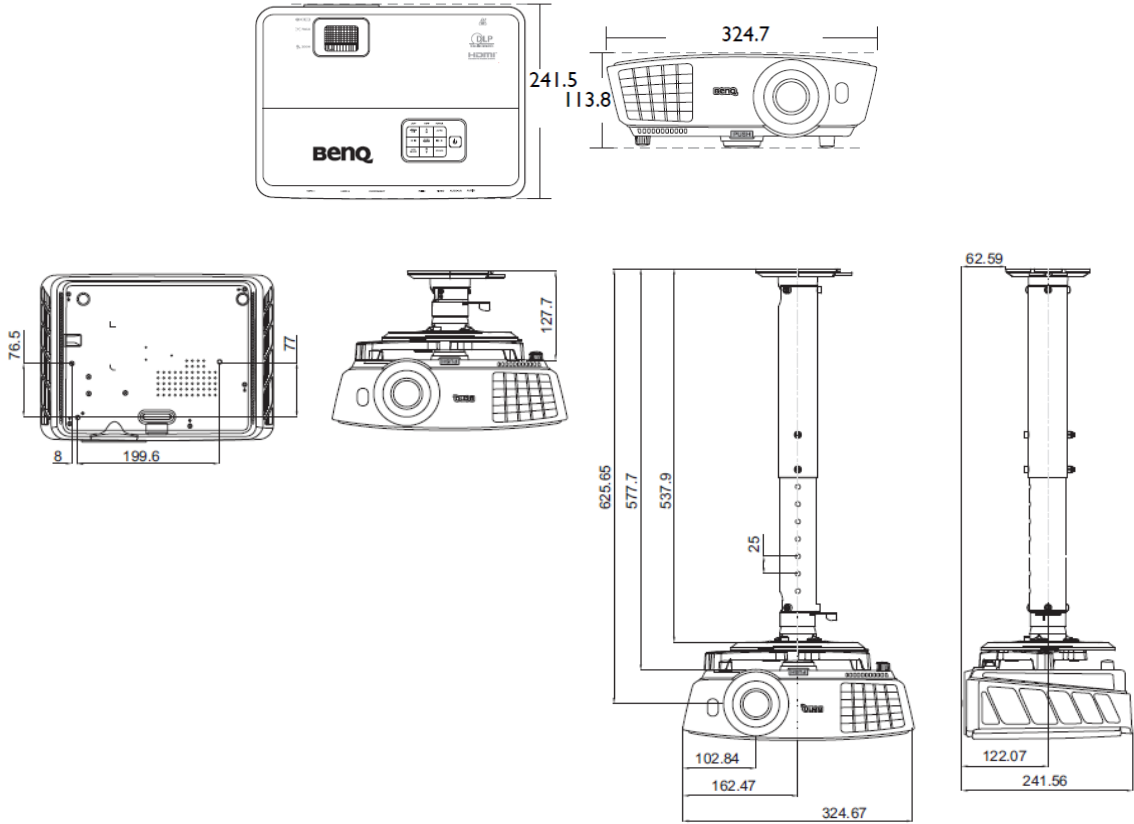


<F>: Screen <G>: Center of lens

Screen dimensions			Projection distance <D> [mm]			Vertical offset <E> [mm]
Diagonal <A> [inch (mm)]	Height [mm]	Width <C> [mm]	Min distance (with max zoom)	Average	Max distance (with min zoom)	
50 (1270)	623	1107	1449	1594	1739	62
60 (1524)	747	1328	1739	1913	2087	75
70 (1778)	872	1550	2029	2232	2435	87
80 (2032)	996	1771	2319	2551	2783	100
90 (2286)	1121	1992	2609	2870	3130	112
100 (2540)	1245	2214	2899	3188	3478	125
110 (2794)	1370	2435	3188	3507	3826	137
120 (3048)	1494	2657	3478	3826	4174	149
130 (3302)	1619	2878	3768	4145	4522	162
140 (3556)	1743	3099	4058	4464	4870	174
150 (3810)	1868	3321	4348	4783	5217	187
160 (4064)	1992	3542	4638	5101	5565	199
170 (4318)	2117	3763	4928	5420	5913	212
180 (4572)	2241	3985	5217	5739	6261	224
190 (4826)	2366	4206	5507	6058	6609	237
200 (5080)	2491	4428	5797	6377	6957	249
210 (5334)	2615	4649	6087	6696	7304	262
220 (5588)	2740	4870	6377	7014	7652	274
230 (5842)	2864	5092	6667	7333	8000	286
240 (6096)	2989	5313	6957	7652	8348	299
250 (6350)	3113	5535	7246	7971	8696	311
260 (6604)	3238	5756	7536	8290	9043	324
270 (6858)	3362	5977	7826	8609	9391	336
280 (7112)	3487	6199	8116	8928	9739	349
290 (7366)	3611	6420	8406	9246	10087	361
300 (7620)	3736	6641	8696	9565	10435	374

Wall mount/Ceiling mount Chart

W750: 324.7 mm x 241.5 mm x 113.8 mm (W x D x H)



Dimension

